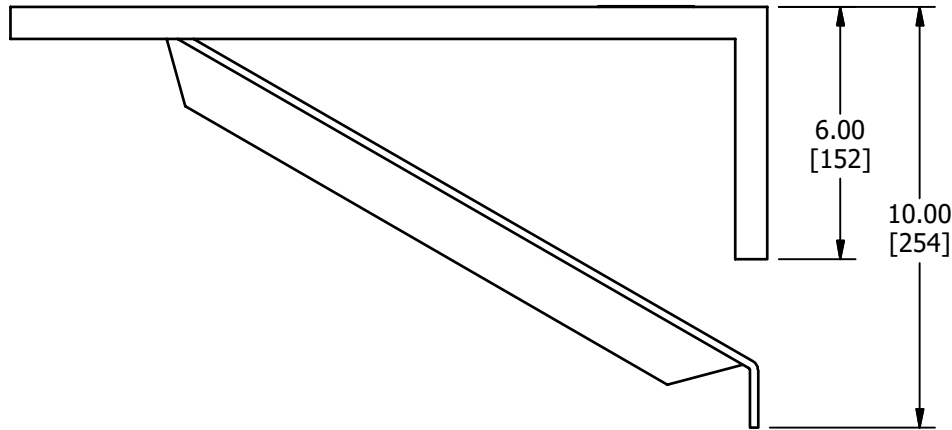
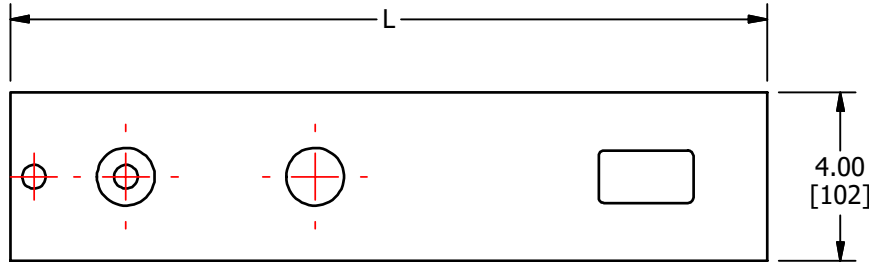
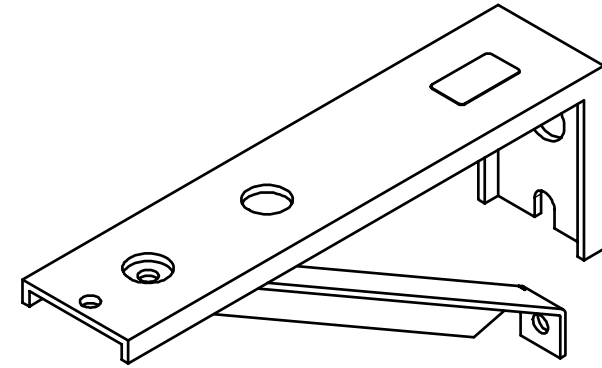
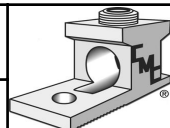


S.NO	CATALOG NUMBER	L
1	BAB18	18.00 [457]
2	BAB24	24.00 [610]



MATERIAL: ALUMINUM

					TO ORDER CMC PRODUCTS	DRAWN BY: TS 03-25-20	NAME OF PART: STANDOFF MOUNTING BRACKET (BAR AND BRACE)	CAT. NO.: SEE TABLE
					UNITED STATES 1-513-860-4455	CHECKED BY:	DWG NO: UB20700760-S (CHARTED)	A
					CANADA 1-800-361-6975	DRAWING NOT TO SCALE		SHEET NO: 1 OF 1
					MEXICO 011-52-722-265-4400			
A	NEW DRAWING CREATED		03-25-20	TS	FOR PRODUCT INFO www.cmcugs.com			HAMILTON, OHIO
REV.	DESCRIPTION	ECN	DATE	INIT.				

THIS INFORMATION IS PROPRIETARY TO CONNECTOR MFG. CO. AND IS NOT TO BE DISCLOSED OUTSIDE OF CONNECTOR MFG. CO. WITHOUT A CONFIDENTIALITY AGREEMENT



CONNECTOR MANUFACTURING CO.

HAMILTON, OHIO